

# Open Display Merchandisers

Display Cases  
Open Display  
Merchandisers

**NEW**

## Horizontal Open Display Cases - Low Profile Top Display Dry Case Combination Models



### FEATURES / BENEFITS

- ENVIRONMENTAL FRIENDLY, EFFICIENT REFRIGERATION SYSTEM**  
 Turbo Air's refrigerators are designed with oversized and balanced environmental friendly R-134A (CFC Free) refrigeration. These include large evaporators and condensers for fast cooling and balanced temperature throughout the cabinet.
- ATTRACTIVE GLASS SIDED ELEGANT EURO DESIGN**  
 Glass front shield and side walls optimize the merchandiser's display effects of fresh salads, sandwiches, desserts and beverages. Its elegant contemporary euro design will enhance any store application.
- DESIGNED TO OPTIMIZE IMPULSE SALES**  
 Ideal for eye-catching displays and convenient access with fast service in high traffic area.
- NON-PEEL, DURABLE ANTI-RUST COATING ON THE EXTERIOR REDUCES FINGERPRINTS**
- TOP DISPLAY DRY CASES (TOMD-L) AVAILABLE IN ALL SIZES-OPTIONAL**
- 300 SERIES STAINLESS STEEL INTERIOR STANDARD INCLUDING BACK WALL, SHELVES AND DECK PANS**
- PERFORATED INTERIOR BACK WALL AND TOP FOR IMPROVED AIR FLOW**
- FRONT AIR INTAKE AND REAR AIR DISCHARGE**
- STANDARD BACKGUARD IMPROVES AIRFLOW**
- FOAMED WITH POLYURETHANE, HIGH-DENSITY CELL INSULATION (CFC FREE)**
- WHITE AND BLACK COLOR COME STANDARD**
- RECOMMENDED OPERATING CONDITIONS**  
 \* TOM Models are designed to operate in an environment where temperature & humidity do not exceed 75°F and 55% respectively.  
 \* Units should not be installed near HVAC vents, fans or doorways that will disrupt the air curtain and compromise the function of the cabinet  
 \* Air curtain models will run most efficiently when completely loaded with product.

Model	CU./FT.	#of Shelves	HP	AMPS	Crated Weight	L D H
TOM-30L(B)	6.1	1	1/3	9	340	28 x 33 1/2 x 45 3/4
TOM-40L(B)	8.8	1	1/2	11	450	39 x 33 1/2 x 45 3/4
TOM-50L(B)	11.7	1	1/2	11	505	50 3/4 x 33 1/2 x 45 3/4
TOM-60L(B)	14.7	1	3/4	14.5	583	63 1/4 x 33 1/2 x 45 3/4
TOM-75L(B)	17.7	2	3/4	14.5	710	75 5/8 x 33 1/2 x 45 3/4
TOMD-30-L	1.5	-	N/A	N/A	27	28 x 12 1/4 x 13 1/4
TOMD-40-L	2.1	-	N/A	N/A	36	39 x 12 1/4 x 13 1/4
TOMD-50-L	2.9	-	N/A	N/A	45	50 3/4 x 12 1/4 x 13 1/4
TOMD-60-L	3.6	-	N/A	N/A	53	63 1/4 x 12 1/4 x 13 1/4
TOMD-75-L	4.3	-	N/A	N/A	64	75 5/8 x 12 1/4 x 13 1/4

# TOM-L/TOMD-L MODELS SPECIFICATIONS

MODEL	TOM-30L(B)	TOM-40L(B)	TOM-50L(B)	TOM-60L(B)	TOM-75L(B)
Exterior Dimension (LxDxH)	28x33 <sup>1</sup> / <sub>2</sub> x45 <sup>3</sup> / <sub>4</sub>	39x33 <sup>1</sup> / <sub>2</sub> x45 <sup>3</sup> / <sub>4</sub>	50 <sup>3</sup> / <sub>4</sub> x33 <sup>1</sup> / <sub>2</sub> x45 <sup>3</sup> / <sub>4</sub>	63 <sup>1</sup> / <sub>4</sub> x33 <sup>1</sup> / <sub>2</sub> x45 <sup>3</sup> / <sub>4</sub>	75 <sup>5</sup> / <sub>8</sub> x33 <sup>1</sup> / <sub>2</sub> x45 <sup>3</sup> / <sub>4</sub>
Interior Dimension (LxDxH)	25 <sup>1</sup> / <sub>2</sub> x24x17 <sup>1</sup> / <sub>2</sub>	36 <sup>5</sup> / <sub>8</sub> x24x17 <sup>1</sup> / <sub>2</sub>	48 <sup>3</sup> / <sub>8</sub> x24x17 <sup>1</sup> / <sub>2</sub>	60 <sup>3</sup> / <sub>4</sub> x24x17 <sup>1</sup> / <sub>2</sub>	73 <sup>1</sup> / <sub>4</sub> x24x17 <sup>1</sup> / <sub>2</sub>
Compressor (HP)	1/3	1/2	1/2	3/4	3/4
Voltage (i) NEMA-5-15P	(i) 115/60/1	(i) 115/60/1	(i) 115/60/1	(i) 115/60/1	(i) 115/60/1
AMP	9A	11A	11A	14.5A	14.5A
Plug-In	NEMA 5-15P	NEMA 5-15P	NEMA 5-15P	NEMA 5-15P	NEMA 5-15P
# of Shelves	1 ea	1 ea	1 ea	1 ea	2 ea
Shelf Size	25 <sup>1</sup> / <sub>2</sub> x10 <sup>3</sup> / <sub>4</sub>	36 <sup>1</sup> / <sub>2</sub> x10 <sup>3</sup> / <sub>4</sub>	47 <sup>1</sup> / <sub>4</sub> x10 <sup>3</sup> / <sub>4</sub>	60 <sup>3</sup> / <sub>4</sub> x10 <sup>3</sup> / <sub>4</sub>	36 <sup>1</sup> / <sub>2</sub> x10 <sup>3</sup> / <sub>4</sub>
Net Weight	257 lbs	317 lbs	376 lbs	448 lbs	507 lbs

MODEL	TOMD-30-L	TOMD-40-L	TOMD-50-L	TOMD-60-L	TOMD-75-L
Exterior Dimension (LxDxH)	28x12 <sup>1</sup> / <sub>4</sub> x13 <sup>1</sup> / <sub>4</sub>	39x12 <sup>1</sup> / <sub>4</sub> x13 <sup>1</sup> / <sub>4</sub>	50 <sup>3</sup> / <sub>4</sub> x12 <sup>1</sup> / <sub>4</sub> x13 <sup>1</sup> / <sub>4</sub>	63 <sup>1</sup> / <sub>4</sub> x12 <sup>1</sup> / <sub>4</sub> x13 <sup>1</sup> / <sub>4</sub>	75 <sup>5</sup> / <sub>8</sub> x12 <sup>1</sup> / <sub>4</sub> x13 <sup>1</sup> / <sub>4</sub>
Interior Dimension (LxDxH)	25 <sup>1</sup> / <sub>2</sub> x9 <sup>1</sup> / <sub>8</sub> x11 <sup>3</sup> / <sub>8</sub>	36 <sup>5</sup> / <sub>8</sub> x9 <sup>1</sup> / <sub>8</sub> x11 <sup>3</sup> / <sub>8</sub>	48 <sup>3</sup> / <sub>8</sub> x9 <sup>1</sup> / <sub>8</sub> x11 <sup>3</sup> / <sub>8</sub>	60 <sup>3</sup> / <sub>4</sub> x9 <sup>1</sup> / <sub>8</sub> x11 <sup>3</sup> / <sub>8</sub>	73 <sup>1</sup> / <sub>4</sub> x9 <sup>1</sup> / <sub>8</sub> x11 <sup>3</sup> / <sub>8</sub>
Net Weight	27 lbs	36 lbs	45 lbs	53 lbs	64 lbs

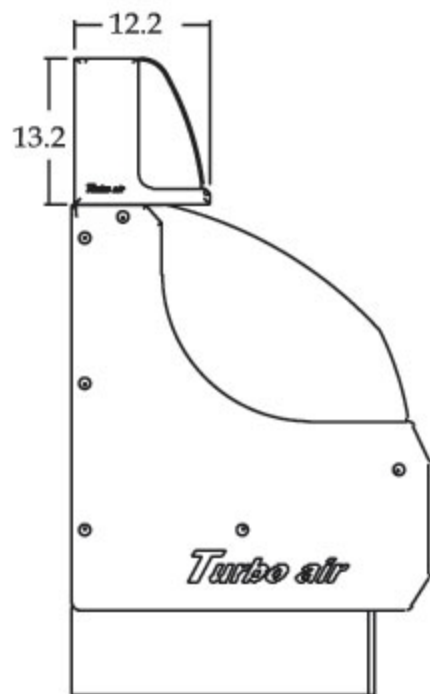
\*Design and specifications subject to change without notice.

- **WARRANTY :** 1 Year Labor and Parts Warranty  
Additional 4 Years Warranty on Compressor

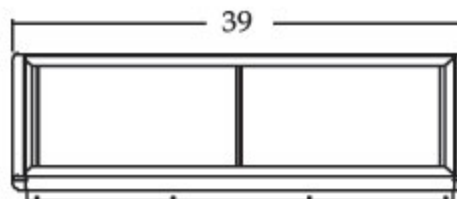
- **SIMPLE PLUG - IN INSTALLATION**

- **PATENTED SELF-CONTAINED SYSTEM  
NO PLUMBING REQUIRED**

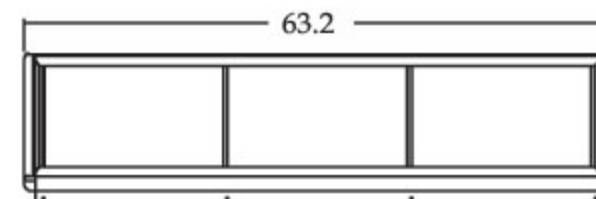
(unit : inch)



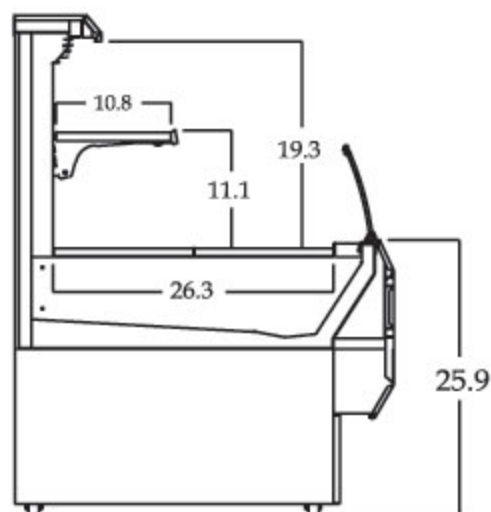
TOM-L COMBINATION WITH TOMD-L  
SIDE VIEW



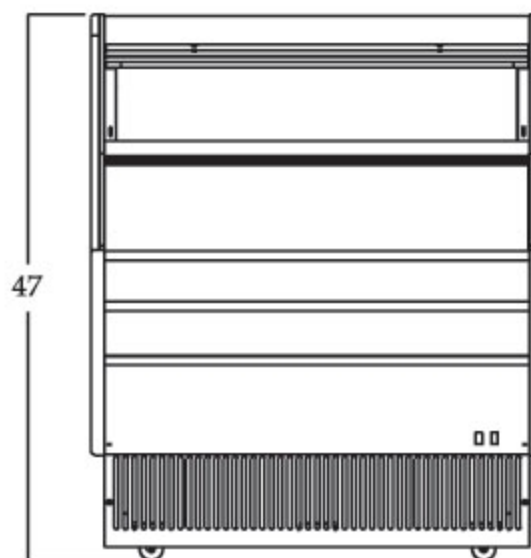
TOMD-40-L PLAN VIEW



TOMD-60-L PLAN VIEW



TOM-L SIDE VIEW



TOM-40L FRONT VIEW



TOM-60L FRONT VIEW