



Simply Engineered Better

201HT

Undercounter High Temperature Dishwashing Machine with Built-in Booster Heater



SPECIFIER STATEMENT

Specified unit will be Moyer Diebel Model 201HT undercounter high temperature dishwashing machine with built-in booster.

Features include 15-3/4" door opening, standard detergent and rinse-aid dispensing pumps. Built-in 40°F/22°C rise booster, and wash tank heater maintains water required temperature.

1 year parts and labor warranty.



Project _____
 Item No. _____
 Quantity _____

201HT UNDERCOUNTER

STANDARD FEATURES

- **NEW Exclusive Feature** – Multi-phase allows for infield conversion from single to three phase electrical with ease!
- Rinse Sentry feature ensures proper 180°F/82°C final rinse temperature.
- Built-in booster provides 180°F/82°C final rinse water.
- Pumped drain.
- Detergent and rinse-aid pumps.
- 15-3/4" [400mm] door opening accommodates larger wares, including trays!
- Upper and lower interchangeable wash/rinse arms produce sparkling clean ware every time.
- Fully automatic wash/rinse cycle processes a rack of wares in 141 seconds ... 21 racks an hour!
- Complete with two 20" x 20" [508mm x 508mm] racks (peg rack and flat rack).
- Stainless steel top and side panels.
- Thermostatically controlled wash tank heater maintains water at the required temperature.
- Heavy-duty stainless steel construction.
- Fill and dump.
- One year parts and labor warranty.

OPTIONS & ACCESSORIES

- | | |
|--|-------------|
| <input type="checkbox"/> 70°F/39°C rise booster | |
| <input type="checkbox"/> CST – Combination sink/table Machine on right | P/N 403561 |
| <input type="checkbox"/> CST – Combination sink/table Machine on left | P/N 403562 |
| <input type="checkbox"/> Flat bottom dishrack | P/N 101273 |
| <input type="checkbox"/> Peg dishrack | P/N 101285 |
| <input type="checkbox"/> 6" Stand | P/N 0712393 |
| <input type="checkbox"/> 17RS – 17" Stand | P/N 0708757 |

MD031 Printed in U.S.A.

Moyer Diebel – USA

P.O. Box 4183, Winston-Salem, NC 27115 Tel: 336/661-1992 Fax: 336/661-9546 800/228-8350 www.moyerdiebel.com

Moyer Diebel Ltd. – Canada

2674 North Service Rd., Jordan Station, Ontario, Canada L0R 1S0 Tel: 800/263-5798 Fax: 905/562-4618 sales@moyerdiebellimited.com



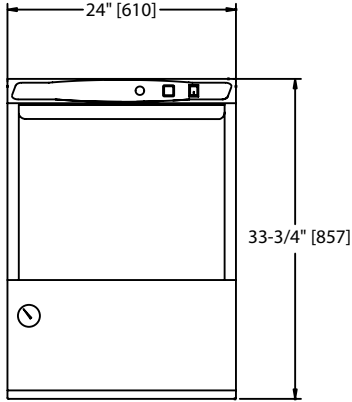


Simply Engineered Better

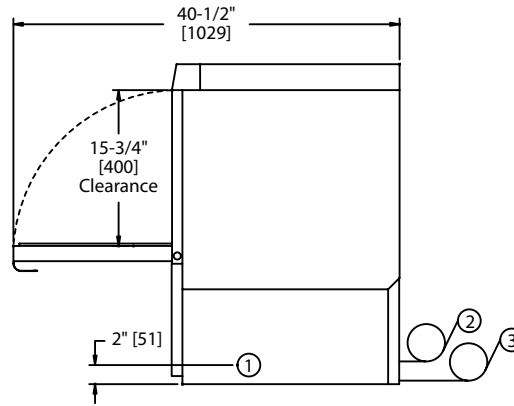
201HT

Undercounter
High Temperature Dishwashing Machine
with Built-in Booster Heater

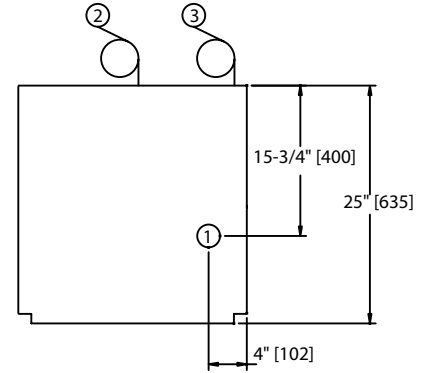
Dimensions shown in inches and [millimeters]



Front View



Side View



Plan View

Utilities

1	Electrical Connection 208-240/60/1; 3 wire plus ground, (See Box). 208-240/60/3; 4 wire plus ground, (See Box).
2	Hot Water 1/2" supply; 140°F/60°C Min. hot water connection for 40°F/22°C rise booster; 110°F/43°C Min. hot water connection for 70°F/39°C rise booster. Incoming supply pressure must maintain a Flow pressure 20-22 PSI (Pressure reducing valve, PRV, supplied by customer or may be purchased unmounted). Machine equipped with 3/4" [19] hose connector.
3	Drain Connection 5/8" [15.9] I.D. flexible reinforced hose, 6 ft. [1829] long. Max. drain flow 15 US gpm. [12.5 imp gal] Max. drain height 3 ft. [914]

SPECIFICATIONS

Capacity	
Racks per hr.	21
Motor Horsepower	
Wash	1
Water Consumption	
Per hr. (max. use)	38.4 US gal;
Per rack	1.8 US gal;
Temperatures °F	
Wash (minimum)	150
Rinse (minimum)	180
Heating	
Tank heat, electric (kW)	2.0
Electric booster	
(kW required for 40°F rise)	6
(kW required for 70°F rise)	9
Time Cycle in Seconds	
Wash	90
Rinse	26
Drain/fill	25
Total	141

201HT with 40°F Rise Booster

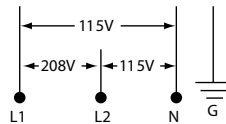
Elec. Specs.	Rated Amps	Minimum Supply Ckt. Conductor Ampacity	Maximum Overcurrent Protective Device
208/60/1	32	40	40
240/60/1	36	40	40
208/60/3	22	30	30
240/60/3	24	30	30

201HT with 70°F Rise Booster

Elec. Specs.	Rated Amps	Minimum Supply Ckt. Conductor Ampacity	Maximum Overcurrent Protective Device
208/60/1	45	60	60
240/60/1	50	60	60
208/60/3	29	35	35
240/60/3	33	40	40

	Uncrated	Crated
Height	33-3/4"	39-1/2"
Width	24"	25"
Depth	25"	25-1/2"
Ship Wt. lbs/kg	178	198

* Adjustable foot height - 11/4" [45]



***Note:** Electrical supply service must be a 3-wire plus ground for connection as shown.

Note: Field convertible to accept 3 phase power.

Warning: Plumbing and electrical connections should be made by qualified personnel who will observe all the applicable plumbing, sanitary and safety codes. Due to an ongoing value analysis program at Moyer Diebel, specifications in this catalog are subject to change without notice.

201HTN without booster

750 Watt tank heat

Elec. Specs.	Rated Amps
115/60/1	12