



Simply Engineered Better

# MD18-1 MD18-2

Automatic Glasswashing Machine



## SPECIFIER STATEMENT

Specified unit will be Moyer Diebel MD18-1 or MD18-2 glasswasher.

Features include 30 racks per hour, upper and lower wash/rinse arms, maximum 10" door opening clearance, sanitizer and rinse aid dispensing pumps, pumped drain and wash tank heater.



Project \_\_\_\_\_  
Item No. \_\_\_\_\_  
Quantity \_\_\_\_\_

MD18-1/MD18-2 GLASSWASHER

## STANDARD FEATURES

- Three pump injection system
  - Injector system allows the use of separate sanitizer and rinse aid resulting in real savings.
  - Precisely calibrated pumps inject just the right amount of chemical each time – no guesswork – no waste.
- Upper and lower wash and rinse arms produce sparkling clean glasses every time.
- One or two door models available.
- Ultra high efficiency wash pump for superior cleaning.
- Thermostatically controlled wash tank heater maintains required wash water temperature.
- Heavy-duty stainless steel construction.
- 30 racks per hour.
- Pumped drain permits use of drain connections above the floor.
- Two 16" [406mm] square racks provided.
- One year parts and labor warranty.

## OPTIONS & ACCESSORIES

- |   |             |
|---|-------------|
| <input type="checkbox"/> RS18-24: 18" [457] rack stand w/24" [610] high drain board                                   | P/N 180368  |
| <input type="checkbox"/> RS18-30: 18" [457] rack stand w/30" [762] high drain board                                   | P/N 180380  |
| <input type="checkbox"/> RS24-24: 24" [610] rack stand w/24" [610] high drain board top for rack and chemical storage | P/N 180369  |
| <input type="checkbox"/> Cycle counter  | P/N 0709242 |
| <input type="checkbox"/> Remote cycle switch  | P/N 0709241 |
| <input type="checkbox"/> Peg rack   | P/N 110352  |
| <input type="checkbox"/> Flat rack  | P/N 110353  |
| <input type="checkbox"/> GR-1 glass rack  | P/N 112360  |
| <input type="checkbox"/> GR-2 glass rack  | P/N 112362  |
| <input type="checkbox"/> GR-3 glass rack  | P/N 112361  |

MD002 Printed in U.S.A.

### Moyer Diebel - USA

P.O. Box 4183, Winston-Salem, NC 27115 Tel: 336/661-1992 Fax: 336/661-1979 800/228-8350 www.moyerdiebel.com

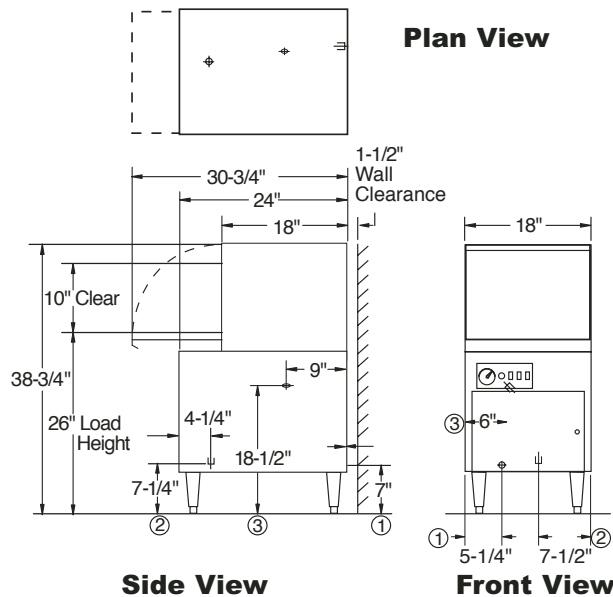
### Moyer Diebel Ltd. - Canada

2674 North Service Rd., Jordan Station, Ontario, Canada L0R 1S0 Tel: 800/263-5798 Fax: 905/562-4618 sales@moyerdiebellimited.com



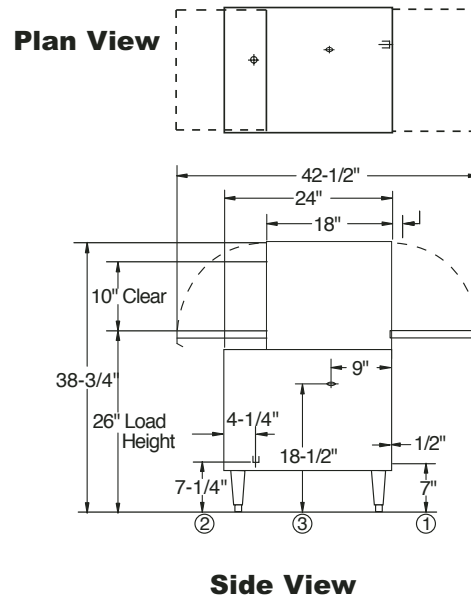
**STANDARD**

**MD18-1**



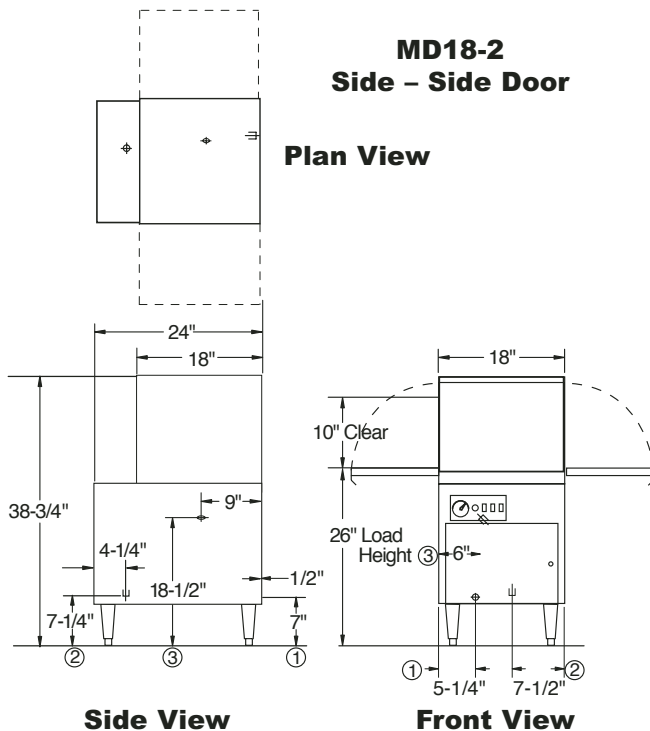
MD18-HH is available with 13" door clearance overall height 41-3/4"

**MD18-2  
Front - Rear Door**



**Warning:** Plumbing and electrical connections should be made by qualified workmen who will observe all the applicable plumbing, sanitary and safety codes.

**MD18-2  
Side - Side Door**



## SPECIFICATIONS

**Capacity**  
Racks per hr. 30

**Water consumption**  
Gal. per hr., US gal. (imp. gal.) 45 (34)  
Gal. per rack, US gal. (imp. gal.) 1.5 (1.25)

**\*Temperature**  
Wash 140°F  
Rinse 140°F

**Heating**  
Tank heat, electric (kW) .75

\* Supply water temperature 140°F

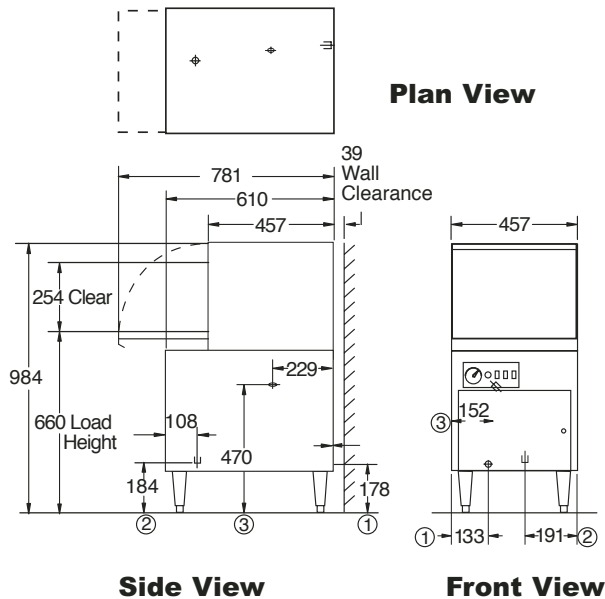
## Utilities

- 1 Electrical\***  
115/60/1 - 15 amp, 9 amp draw
- 2 Hot Water Connection**  
1/2" NPT hot water. Flow pressure 25-95 psi
- 3 Drain Connection**  
5/8" flexible hose. Max flow rate 18 US gpm (15 imp.gpm)

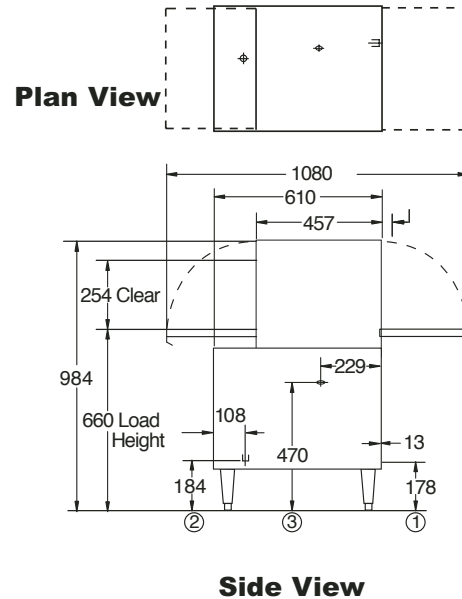
**\*NOTE:** Models MD18-1 and MD18-2 are supplied with 5 ft. cord and plug

**METRIC**

**MD18-1**

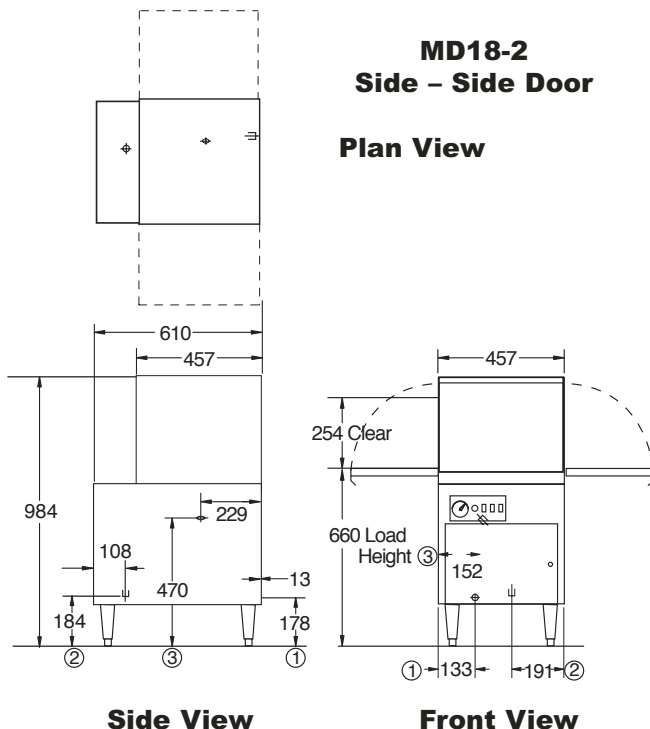


**MD18-2  
Front - Rear Door**



MD18-HH is available with 330mm door clearance overall height 1061mm

**MD18-2  
Side - Side Door**



**Warning:** Plumbing and electrical connections should be made by qualified workmen who will observe all the applicable plumbing, sanitary and safety codes.

## SPECIFICATIONS

<b>Capacity</b>	
Racks per hr.	30
<b>Water consumption</b>	
Liters per hour	171
Liters per rack	5.7
<b>*Temperature</b>	
Wash	60°C
Rinse	60°C
<b>Heating</b>	
Tank heat, electric (kW)	.75
* Supply water temperature 60°C	

## Utilities

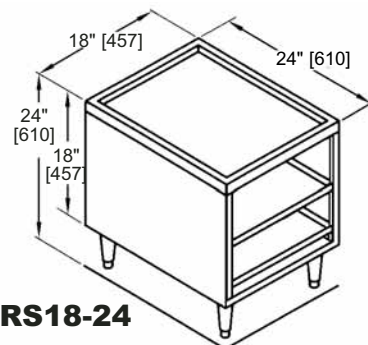
<b>1 Electrical*</b>	115/60/1 - 15 amp, 9 amp draw
<b>2 Hot Water Connection</b>	1/2" NPT hot water. Flow pressure 25-95 psi
<b>3 Drain Connection</b>	5/8" flexible hose. Max flow rate 18 US gpm (15 imp.gpm)

**\*NOTE:** Models MD18-1 and MD18-2 are supplied with 1524mm cord and plug

Dimensions shown in inches and [millimeters]



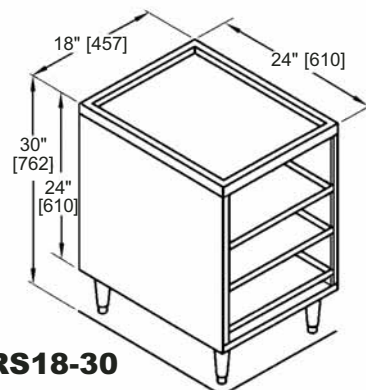
**RS18-24**  
18" [457] rack stand with  
24" [610] high drain board  
top for rack storage



**RS18-24**



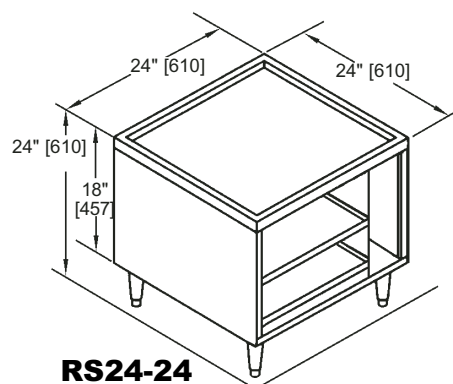
**RS18-30**  
18" [457] rack stand with  
30" [762] high drain board  
top for rack storage



**RS18-30**



**RS24-24**  
24" [610] rack stand with  
24" [610] high drain board top  
for rack and chemical storage



**RS24-24**